

HID ATOM™

Full-page document imager and eMRTD reader



STATE-OF-THE-ART

The ATOM Document Reader (ADR300) is a state-of-the-art, multi-illumination electronic machine-readable travel document (eMRTD) reader. Designed from the outset to deliver high performance, ATOM blends an aesthetically pleasing design with maximum flexibility to make it the ideal choice for almost any application.

COST SAVINGS

Its innovative design enables the capture of multiple high resolution, uncompressed images in visible and infrared light (UV - optional). In comparison to existing scanners, the transaction time is significantly reduced, delivering productivity and cost savings.

ERGONOMICS / EASE OF USE

ATOM's design sets it apart from other readers and allows for both desktop use and simple, elegant integration into countertops and kiosks. Its innovative 'shark fin' document guides ensure that even the most widely traveled documents quickly slide onto the glass, easing down bent corners for a perfect read.

LATEST STANDARDS

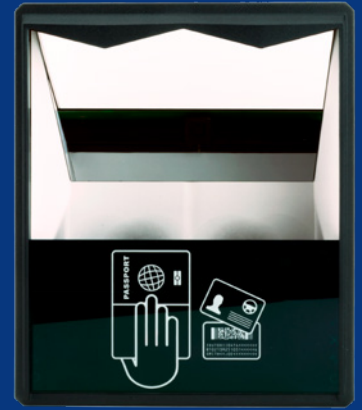
ATOM delivers lightning fast MRZ decoding, with optional capability of reading RFID data from eDocuments, including those meeting the latest ICAO LDS standards. Additionally, high performance 1D/2D barcode reading ensures that the ATOM delivers a rich feature-set.

EXTRA FEATURES

The ATOM can be supplied with its innovative Expansion Dock to provide either contact smart card reading, magnetic stripe reading or both. The elegant drop-in design means that the unit can be supplied already connected or retrofitted in the field in just a few seconds.

APPLICATIONS

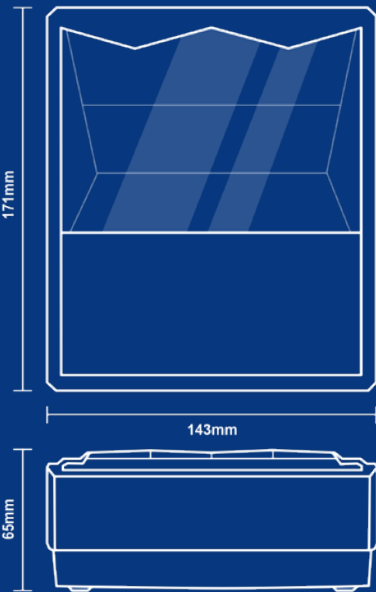
- Banking & Insurance
- Document & Visa Issuance
- Gaming & Casinos
- Tax Refunds & Money Exchange
- Self-service Applications & Kiosks
- Hotels, Airports & Car Rental
- Border Control & Law Enforcement
- Alcohol & Tobacco Sales



FEATURES:

- Sophisticated Imaging - Captures high-resolution images in visible and IR light (UV optional)
- Simple Integration - Operates without external power supply using USB 3.0
- MRZ Reading - Reads ICAO 9303 compliant documents, including ID cards, e-Passports and visas — plus ISO 18013 compliant driving licences
- Flexible QR/Barcode Reading - Reads 1D/2D barcodes from smartphones, tablets and paper
- Optional Contactless Capability - ISO 14443 contactless RFID reader/writer supports ICAO LDS standards, including BAC, PA, AA, EAC and SAC
- Optional Expansion Dock - Provides contact smart card & MSR reading, two additional USB ports and two SAM modules

HID ATOM™ (ADR300)



FEATURES

Connection Types

USB

Image Capture

- Visible
- Ultraviolet*
- Infrared

Technology

- NFC / RFID*
- QR/Barcode
- OCR
- Magnetic Strip*
- Contact SmartCard*

Reader Size

- Full Page

* Optional

HID ATOM™ (ADR300)

READING CAPABILITIES	
OCR (Optical Character Recognition)	ICAO compliant travel documents in near infrared (IR) per ICAO 9303 specification Parts 1-4 (2 & 3-line MRZ) Near ICAO compliant travel documents (e.g. French ID) ISO-18013 driving licences (1-line MRZ)
Imaging	Glass platen: 0.2 in (4mm) thick toughened, with anti-reflective and oleophobic coatings Active scan area: 5 in x 4 in (130mm x 94mm) Full-page: JPG, BMP, TIFF, PNG Illumination sources: visible/white, near IR B900, UV LED's Resolution: 500 DPI
Barcode Reading	Linear (1D): EAN / UPC, Code 2 of 5, Interleaved 2 of 5, IATA 2 of 5, Code 39, Code 128 2D: IATA resolution 792, PDF417, Aztec, DataMatrix and QR codes
Contactless RFID Reading (Optional)	Interoperability: ICAO DOC 9303, LDS1.7, ISO18013 (Driving Licence), PA, AA, BAC, EAC v1.11 (CA, TA), EAC v2.0x (PACE v2, ICAO SAC, CA v2, TA v2) Operating frequency: 13.56 MHz Supported documents: ISO 14443 type A & B auto-detecting; secure and high-speed data transmission; Mifare memory card support (Mifare ultralight, 1K, 4K cards) App. interface: PC/SC compliant device
Contact Smart Card Reading (Optional)	Number of ID-1 (smart card) slots: 1 Number of ID-000 (SAM) slots: 2 Compliance: ISO 7816, T=0, T=1 App. interface: PC/SC compliant device
Magnetic Stripe Reading (Optional)	Three-track magnetic cards complying with ISO7811/ 2-5
ELECTRONIC	
Power Supply	+5 VDC via DC jack (Only when connected via USB 2.0 Interface)
Communication	USB 3.0 (Compatible: USB 2.0)
Host Minimum	Windows 7 & above, 32/64 bit; Pentium Core-i3 2.1GHz & 4GB RAM
Host Recommended	Win 7 & above, 32/64 bit; Pentium Core-i5 3.3GHz & 8GB RAM
PHYSICAL	
Dimensions	6 x 7 x 3 in (143 x 171 x 65 mm)
With Expansion Dock	6 x 7 x 3 in (165 x 171 x 79 mm)
USB 3.0 Cable Supplied	4.9ft (1.5 m)
Body	Black PC/ABS
Glass	BS EN60068-2-75 & IEC 62262:2002, rated to 6.375J impact
Weight	2 lbs. (750g) excl cable/PSU
Security	Kensington® security slot
THERMAL (AIR)	
Temperature	Operating 32°F to 122°F (0°C to 50°C)
Storage	32°F to 140°F (0°C to 60°C)
Humidity	0-95% non-condensing
APPROVALS	
FCC Part 15C Class B; CE EMC Class B, CE Low Voltage Directive; IEC 62471: 2006 - Exempt Class; BS EN 62368-1:2006+A2:2013	

To learn more, please contact us at: access-is@hidglobal.com



hidglobal.com

North America: +1 512 776 9000 | Toll Free: 1 800 237 7769

Europe, Middle East, Africa: +353 91 506 900

Asia Pacific: +852 3160 9800 | Latin America: +52 55 9171 1108

For more global phone numbers click here

© 2023 HID Global Corporation/ASSA ABLOY AB. All rights reserved.

2023-03-02-eat-atom-document-reader-ds-en

PLT-06253

Part of ASSA ABLOY